



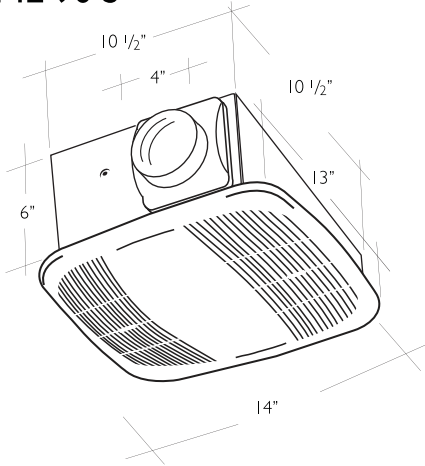
PRIME INDUSTRIAL PRODUCTS INC.

SPECIFICATION
PME 90
 SUPER QUIET EXHAUST FAN

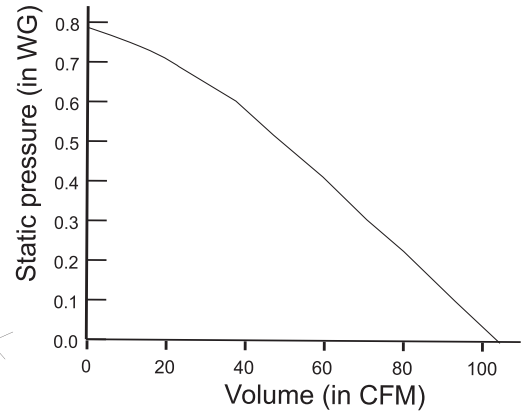
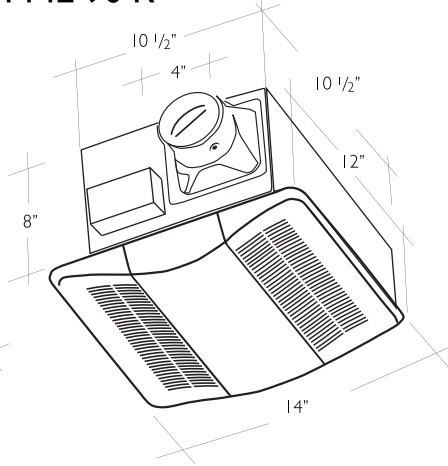
90 CFM / 0.8 SONES @ 0.1 WG.
HVI CERTIFIED 120 VOLTs, 0.24 AMPs, 60 Hz

PRODUCT DETAILS

PME 90 S



PME 90 R



Fan Housing

The Housing is constructed of rust resisting powder coated premium cold roller steel with a standard sized 4" diameter duct collar. The fan is shipped complete with an installation manual.

Motor

Enclosed 4 pole electronically balanced permanently split capacitor motor (PSC); Life time lubricated ball bearing suitable for continuous operation, rated, 120 V, 60Hz, 0.24 Amp. Requires NO maintenance.

Blower Wheel

Special design heavy duty ABS sirocco blower, dynamically and statically balanced, The exclusive wheel design allows for efficient cooling for the motor, providing long operation life.

Unit Mounting

Slim Housing - S

The new slim fan housing needs only 6" vertical clearance and though dry wall thickness up to 3/4".

Regular Housing with split body - R

The fan housing requires at least 8" of vertical clearance.

The Fan housing requires at least 8 inches of vertical clearance and through dry wall thickness up to 3/4", with a rough opening of 10-1/2" x 10-1/2". Rated for ceilings insulated to R40, The housing will mount either between 16" to 24" centre joists, using the 4 supplied housing mounting rails.

Interchangeable Blower and Motor

The standard size of all models PME series housing will allow the enduser to change the fan capacity in the field simply by changing fan blower assembly.

Grill

White, polymeric paintable grille secured in place with torsion springs; easily removed if necessary.

Optional Grill Light

The exclusive light may be added after installation, Simply remove the non lighted grill and replace with the light fixture grill plug in the provided receptacle. The fixture is intended for CFL light blubs (not supplied) and is available at any Prime dealer.

PERFORMANCE

STATIC PRESSURE (Inches of Water gauge)								Sones	Ampere	Watts	CFM/W
Air Flow	0	0.05	0.1	0.15	0.2	0.25	0.3				
CFM	105.9	100.1	91.6	85.6	81.5	76	68.4	0.5	0.21	24.7	3.71

Prime Industrial Products Inc.
 118 - 14273 Knox Way, Richmond, B.C. Canada. V6V 2Z4

