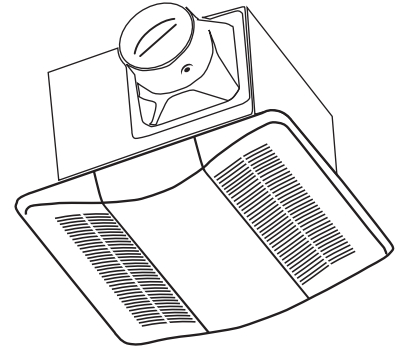




INSTALLATION MANUAL FOR VENTILATING FAN



**Models : PME60, PME70, PME90, PME110, PME120
PME60L, PME70L, PME90L, PME110L, PME120L**

SUITABLE FOR USE OVER TUB OR SHOWER ENCLOSURES WHEN INSTALLED IN A GFCI PROTECTED BRANCH CIRCUIT. THIS PRODUCT MUST BE INSTALLED BY A QUALIFIED TECHNICIAN

Please read these instructions before attempting to install, operate or service the ventilation fan, Failure to comply with instruction could be result in personal injury and / or property damage. Please save these instructions for further reference.

INSTALLER LEAVE THIS MANUAL WITH THE HOMEOWNER

IMPORTANT SAFELY INSTRUCTIONS

WARNING: TO REDUCE THE RISK OF FIRE, ELECTRIC SHOCK, OR INJURY TO PERSONS, OBSERVE THE FOLLOWING:

1. Use this fan in the manner intended by the manufacturer. If you have questions, contact the manufacturer or distributors / dealer.
2. Installation work and electrical wiring must be done by qualified person(s) in accordance with all applicable codes and standards, including fire rated construction.
3. Before servicing or cleaning this fan, switch power off at service panel, and lock the service disconnecting means to prevent power from being switching on accidentally.
4. Sufficient air is needed for proper combustion and exhausting of gases through the flue (chimney) of fuel burning- equipment to prevent back-drafting. Follow the heating equipment manufacturer's guideline and safety standards such as those published by the National Fire Protection Association (NFPA), and the American Society for Heating, Refrigeration and Air Conditioning Engineers ASHRAE), and the local code authorities.
5. When cutting or drilling into the wall or ceiling, do not damage electrical wiring and other hidden utility.
6. Ducted fans must always be vented to the outdoors.
7. Solid state controls may cause harmonic distortion which can cause motor humming noise. To reduce the risk of fire or electric shock, do not use this unit with any solid- state control device.
8. Never place a switch where it can be reached from a tub or shower.
9. Not to be installed in a ceiling thermally insulated to a value greater than R40.
10. These units are cULus listed for use over a tub and shower when connected to a GFCI (Ground Fault Circuit Interrupter) – protected branch circuit.
11. This unit must be grounded

CAUTION:

Installation work and electrical wiring must be done by qualified persons in accordance with all applicable codes and standard, including fire-rated construction.

1. Fan is for general ventilating use only. Do not use to exhaust hazardous or explosive material and vapors.
2. Not for use in a cooking area (Fig. 1)
3. This fan is designed fore installation in ceiling up to a 7/12 pitch. Duct connector must point up. DO NOT MOUNT THIS FAN IN A WALL.

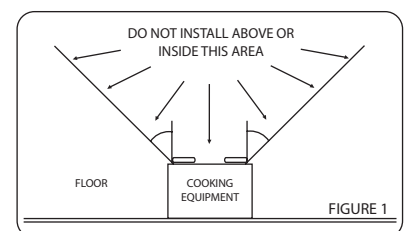


FIGURE 1

4. Do not install temperature may exceed 40 °C
5. To avoid motor bearing damage and noisy and /or unbalanced impellers, keep drywacdflf spray, construction dust, etc. off power unit.
6. Make sure that the electric service supply voltage is 120Volt, 60Hz, 1 Ph.
7. Follow all local electrical and safety codes, as well as the National Electrical Code (NEC) and Occupation Safety and Health Act (OSHA).
8. Always disconnect the power source before working on or near the fan, motor and junction box.
9. Protect the power cord from sharp edge, oil, grease, hot surfaces, chemicals or other objects.
10. Do not kink the power cord.
11. Provided suction parts with proper ventilation.

INSTALLATION OF HOUSING (Refer to Figure 2, 3, 4)

Model: PQ50

Rough Opening: 17.8cm (7") l * 17.8cm (7") w

Housing Size: 17cm (6 11/16") l * 17cm (6 11/16") w * 18.5cm (7 9/32") h

PME 60, PME 60L, PME 70, PME 70L, PME 90,

PME 90L, PME 110, PME 110L, PME 120, PME 120L

Rough Opening: 26.5cm (10 1/2") l * 26.5cm (10 1/2") w

Housing Size: 25.3cm (10") l * 25.3cm (10") w * 19cm (7 1/2") h

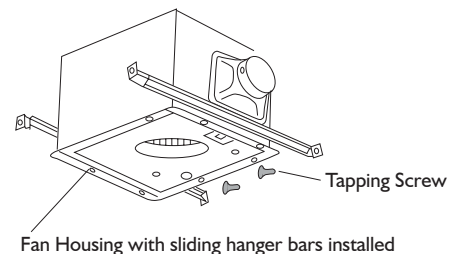
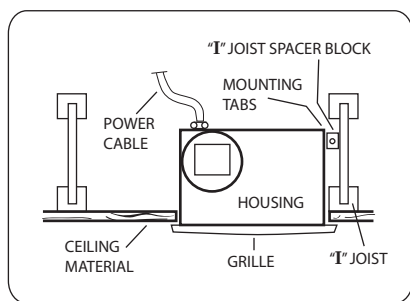
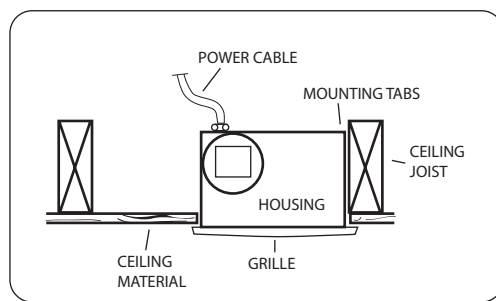


Figure 1

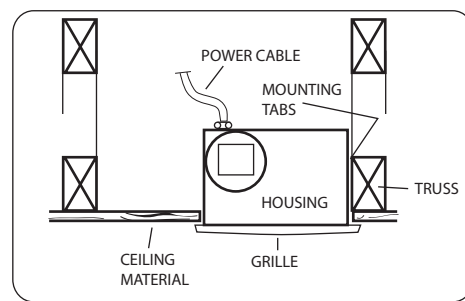
1. Remove the grille from the unit before the mounting install sliding hanger bars onto the fan housing by inserting the bars into the hanger bar support guide rail.
2. Loosely attach one end of a hanger bar to joist by inserting a screw through the eyelet at the end of the bar into the wooden joist.
3. Attach the second hanger bar to the same joist.
4. Level the fan housing and attach the third and fourth hanger bar ends to the next joist. Adjust and tighten the screws.
5. For the grille to fit properly, the flange of the housing must be leveled to the suffix level of the ceiling.
6. Install sliding hanger bars onto the fan housing by inserting the bars into the hanger bar support guide rail.
7. Loosely attach one end of a hanger bar to joist by inserting a screw through the eyelet at the end of the bar into the wooden joist.
8. Attach the second hanger bar to the same joist.
9. Level the fan housing and attach the third and fourth hanger bar ends to the next joist. Adjust and tighten the screws.



Housing Mounted to "I" JOIST Figure 2



Housing Mounted to JOIST Figure 3



Housing Mounted to Truss Figure 4

INSTALLATION OF GRILLE (Refer to Figure 5)

The grille can be installed when the finished ceiling has been completed, Place the louver's torsion spring mounting clips into the slot holes on the both sides of the fan unit and press it closed.

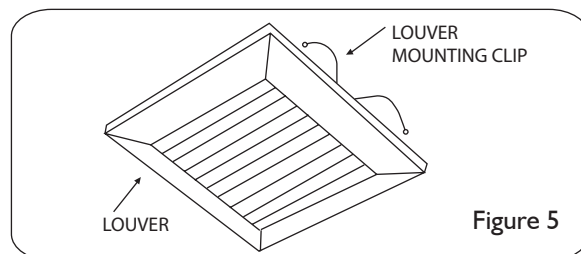
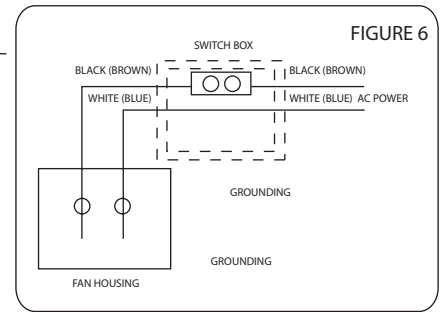


Figure 5

WIRING (Refer to Figure 6)

IMPORTANT: The power to your PRIME Air ventilation fan must disconnect before installation begins. Be certain all wiring complies with local codes and that the fan unit is properly ground.

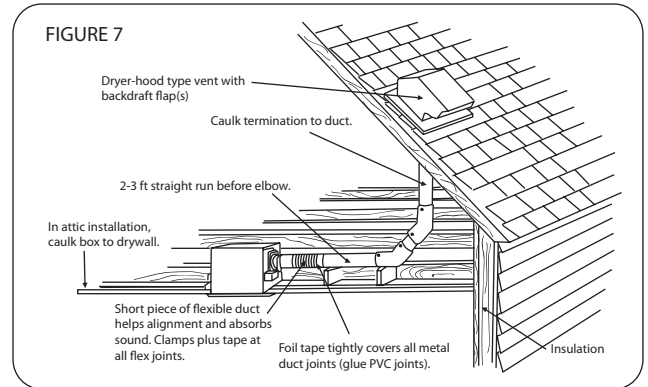
1. Run power leads from the wall switch, sensor switch or time switch to the unit.
2. Using the approved wire connectors, connect supply wires to fan wires: black (or brown) to black (or brown) and white (or blue) to white (or blue). Connected ground wire (green or bare) to the ground connection in the fan's junction box.



DUCTING (Refer to Figure 7)

1. Run 4" round duct from the air discharge opening to the outside of the building.
2. Smooth sheet metal duct is recommended.

Properly insulate the area around the fan to minimize building heat loss and gain. Loose fill or batt insulation can be placed over the fan housing in the attic.



MAINTENANCE (Refer to Figure 8)

WARNING: Disconnect the power source before servicing.

NOTE: Never use petrol, benzene, thinner or any other chemicals for cleaning the ventilating fan. Do not allow water get into motor. Do not immerse plastic parts in hot water over 60 C.

Routine maintenance must be done every year.

1. Remove the louver from the fan.
2. Wash and clean the louver.
3. Using a soft cloth and dampened with mild detergent to remove any dirt or duct build-up from the unit and wipe to dry.
4. After cleaning, replace the louver and confirm that fan has been reassembled correctly.

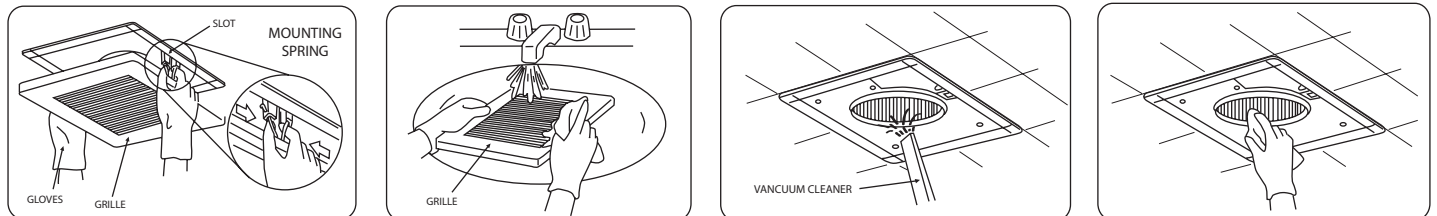


FIGURE 8

SPECIFICATIONS

Model No.	Air Direction	Volts	Hz	Duct Diameter (inch)	Noise (Sones)	Power Consumption (W)	Speed (RPM)	Air Deliver (CFM)	Weight kg (lbs)
PME50	<0.3	120	60	4	<0.3	24.9	0.23	55.6	3.5
PME70	<0.3	120	60	4	<0.3	24.5	0.22	71.3	4
PME90	0.8	120	60	4	0.8	28.4	0.24	93.2	4.25
PME110	1.1	120	60	4	1.1	35.1	0.29	117.7	4.5
PME130	1.5	120	60	4	1.5	40.8	0.34	134.6	4.5

* Static pressure at 0.1 inches of water.

Specifications are based on HVI standard.

* Product specifications subject to change without notice



PRIME FIVE YEARS LIMITED WARRANTY

File This Warranty with Your Important Papers

1. Prime warrants to the original consumer purchaser of its products that such products will be free from defects in materials and / or workmanship for a period of three years from the date of original purchase. Consumer must provide proof of date of purchase.
2. During this Five-year period, Prime will, at its option, repair or replace, without charge, any product or part which is found to be defective under normal use and service. THIS WARRANTY DOES NOT EXTEND TO FLUORESCENT LAMP STARTERS AND TUBES.
3. This warranty does not apply to products purchased outside the boundaries of North America.
4. This warranty does not cover normal maintenance and service or any products or parts which have been altered or repair in any way that would affect reliability or detract from the performance, and subject to misuse, negligence, accident, improper maintenance or repair (other than authorized by Prime), faulty installation or installation contrary to recommended installation instructions.
5. The duration of an implied warranty is limited to the three years period. Some states do not allow limitation on how long an implied warranty lasts, so the above limitation may not apply to you.
6. Prime's obligation to repair or replace at Prime's option, shall be the purchaser's sole and exclusive remedy under this warranty, Prime shall not be liable for incidental, consequential or special damages arising out or in connection with products use or performance.

DATE OF INSTALLATION

BUILDER or INSTALLER'S NAME